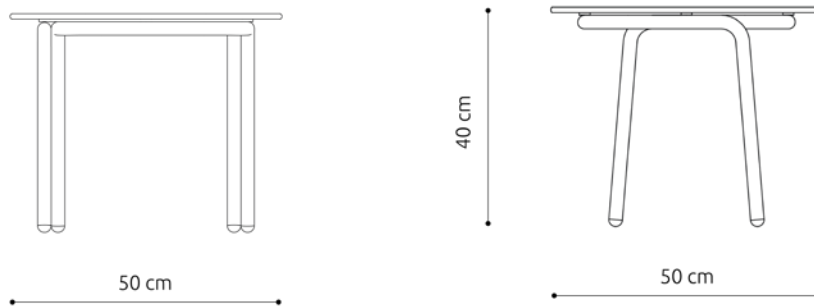


CCRC12 COFFEE TABLE S | Design by Studio Cocorico

Year of design : 2018

Manufacturer : Haymann Editions

Manufactured in Italy



AVAILABLE MATERIALS

STRUCTURE | Black grained epoxy metal tube

TABLE TOP | Black smoked glass

PRODUCT DIMENSIONS

Width

Depth

Height

Weight

50 cm

50 cm

40 cm

-- g